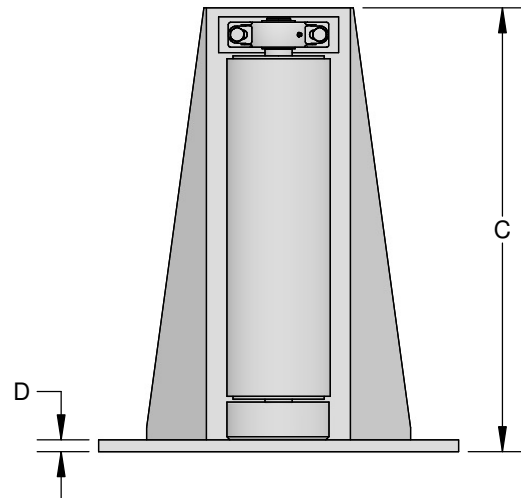
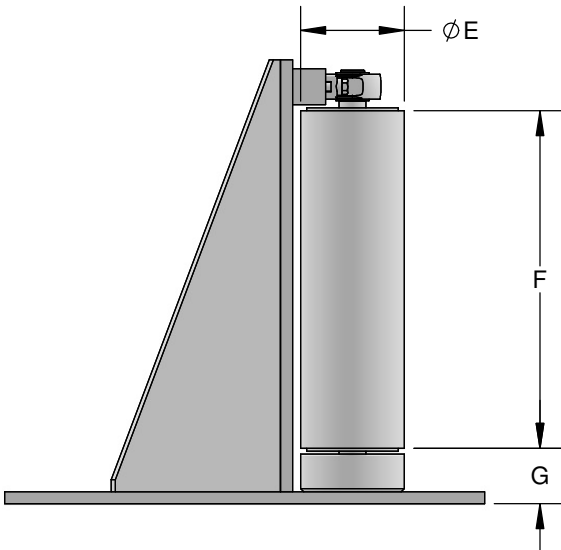
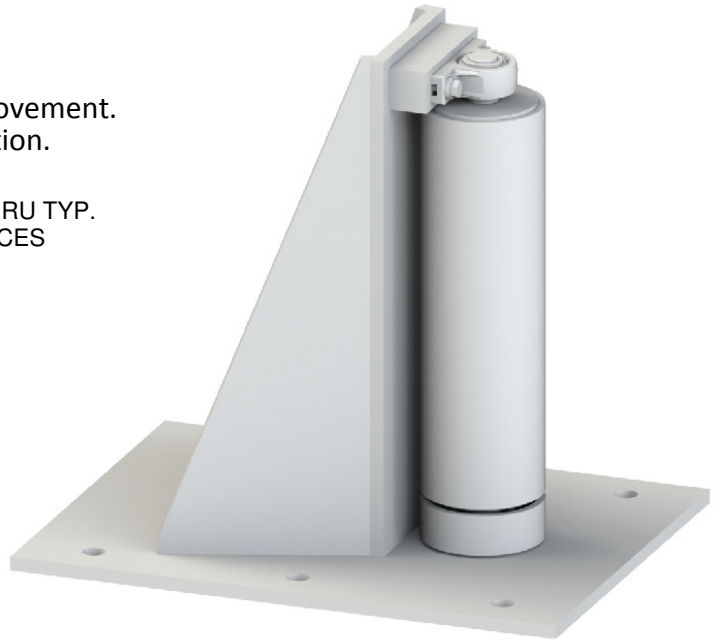
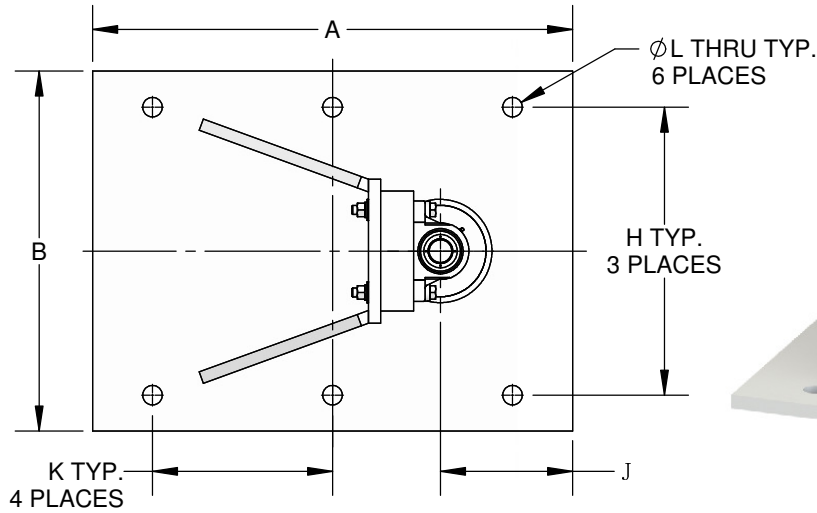


Vertical Guide Idler



Vertical Guide Idler

- Custom Coatings Available
- Custom Materials Available
- For use with Capstan or Winch to assist in curved track movement.
- Please contact our sales representative for more information.



Model No.	A	B	C	D	E	F	G	H	J	K	L	No. of Bolts
S-40-VG	40	30	37	1	8 ⁵ / ₈	28 ¹ / ₈	4 ⁵ / ₈	24	11	15	1 ⁵ / ₈	6

All dimensions are in inches and are subject to change.

